

1

2

3

4

5

6

RevNo	Revision note	Date	Signature	Checked
-------	---------------	------	-----------	---------

A

A

B

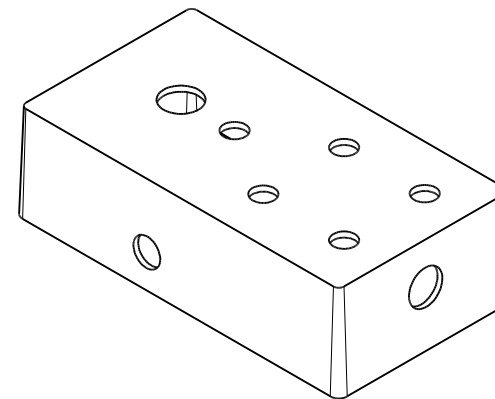
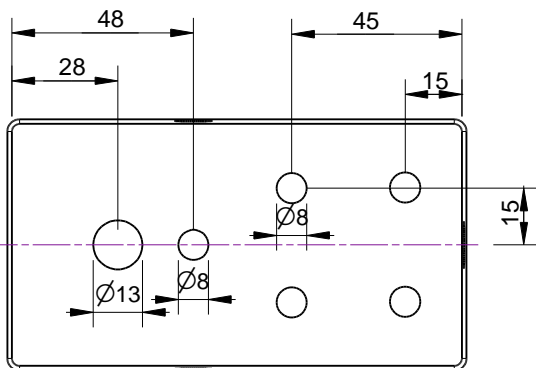
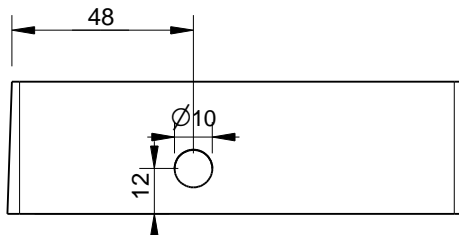
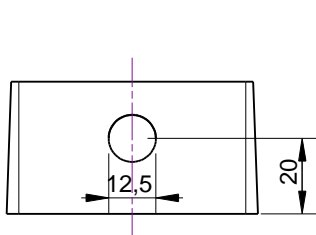
B

C

C

D

D



125B 4 Pot



Edition

Sheet

6

1

2

3